

ProLEC Basic



- LCD screen that shows number of surges, hour and date of surge event
- Buttons for TIME/DATE setting and log viewing
- Replacable battery, working life minimum 5 years
- Contactless sensor-easy to install, no change in existing installation needed
- Complies with: IEC/EN 62561-6, 61326-1

ProLEC Basic is the first in line of the new lightning current sensors family. It is meant to be used for sensing and logging lightning discharges that flow through lightning protection systems. ProLEC device is installed directly on lightning down conductor. It is made to withstand currents up to 100kA (10/350). By installing ProLEC on a building's lightning protection system, we gain the knowledge of frequency and time/date of atmospheric discharges that affected the object. Preventive or maintenance measures can be taken accordingly, depending on information gained from the counter.

Installation example



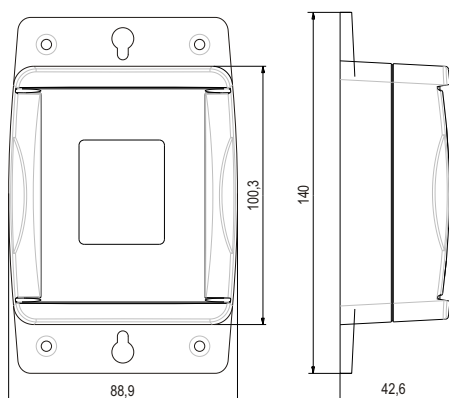
Technical data

Type	ProLEC Basic	
Electrical characteristics		
Threshold current (10/350)	I_{tc}	1kA
Max. withstand current (10/350)	I_{mcw}	100kA
Number of event logged		999
Mechanical characteristics		
Temperature range		- 20°C ... + 60°C
Degree of protection		IP 65
Housing material		Polycarbonate
Mounting		Directly on down-conductor

Ordering information

Ordering code ProLECBasic	130 520
----------------------------------	----------------

Dimensions



Dimensions, weight and packaging	
ProLEC Basic	
Dimensions	144 x 88 x 44mm
Weight per unit	360g